

TRASER-6

Concealed hangers

No need for tools, INDAUX's TRASER-6 cabinet hanger offers maximum simplicity, adjustment and resistance.



TRASER-6

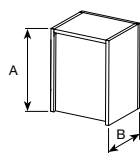
Concealed hangers

No need for tools, INDAUX's TRASER-6 cabinet hanger offers maximum simplicity, adjustment and resistance.



High strength

The TRASER-6 cabinet hanger has been designed for standard kitchen module use with a height from 600 to 1.000mm and a depth from 300 to 350mm. For other measurements, please make a request to Indaux's Technical Department.



A = 600 to 1.000mm
B = 300 to 350mm

The maximum load per hanger is 65Kg./unit according to DIN 68840 certified by LGA (equivalent to 260Kg. of final load per set), cabinet dimensions: height 700mm. depth 350mm.

Easy to fit

Fixed to the cabinet-back side, independent to the cabinet top type.

Highly adjustable

Side adjustment with steel guide up to 16mm. Height adjustment up to 18mm with Phillips® N°. 2, Ø6 or Pozidriv® N°. 2, Ø6 screwdrivers. Depth adjustment up to 20mm.

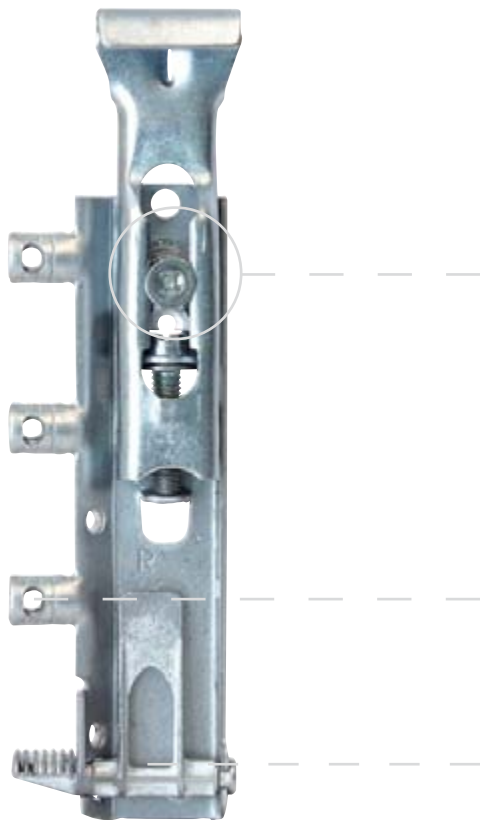
Ecological

This hanger is entirely made of metal and is easily recycled.

1	TRASER-6	<i>pp.</i>	325
	■ Rapid fitting		325
	■ Knock-in fitting		326
	■ Screw fitting		327
	■ Short knock-in fitting		328
	■ Accessories		329

1 TRASER-6

■ TRASER-6: Rapid fitting



We present the fastest, most convenient and safest fitting system on the market. You won't need any tools to fit or remove your hangers. It won't even take you any time. Fitting Traser 6 is child's play. Try it, you'll be surprised.

Maximum problem-free adjustment and precision.

Why not respect the beauty of your furniture to the maximum? That's what we do. We have reduced the number of holes to be drilled in your cabinet backs like no-one else. A small Ø18mm hole provides access to all adjustments. But we give you even more. If you don't want to drill your cabinet backs, you can still fully adjust your hanger. We are unique in this as well. Our adjustment screws never penetrate the back of the furniture.

Maximum safety.


In addition to speed, convenience and appearance, we also want you to know how safe our system is. Our R&D department has developed a product which can take a nominal load of 65 kgs. per hanger. Months of effort and imagination and hundreds of tests have enabled us to certify compliance with the DIN 68840 standard certified by LGA (equivalent to 260Kg. of final load per set), cabinet height 700mm. depth 350mm. Please check for smaller sizes.

Maximum simplicity.

By using the fixing lever you will discover the meaning of convenience. No other system can give you this. By just turning the lever 180°, you will perceive the sensation of safety which our hanger's anchoring system provides.

References

TRASER-6 Cabinet hanger, Rapid fitting

		
Left	624.200.032	100
Right	624.300.036	

The maximum load per hanger is 65 kgs. According to din 68840 (equivalent to 260Kg. of a final load per set), cabinet height 700mm. depth 350mm.

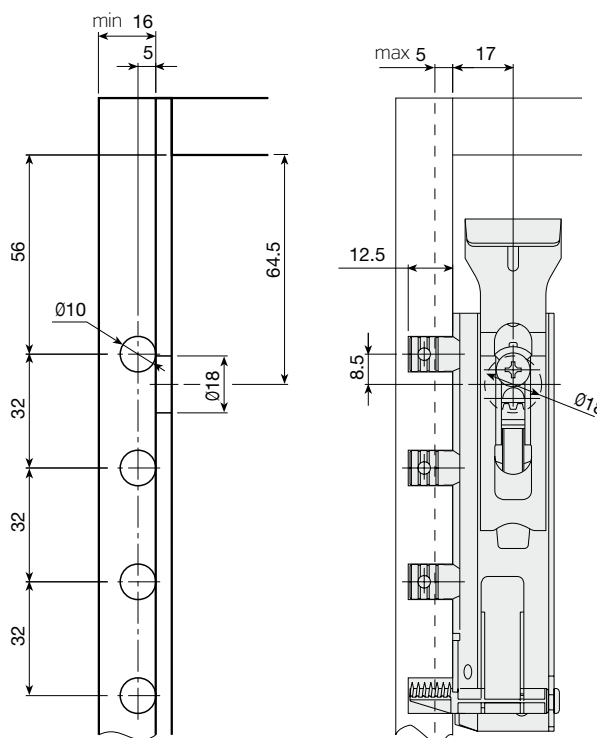
NOTE: for smaller modules please consult us.



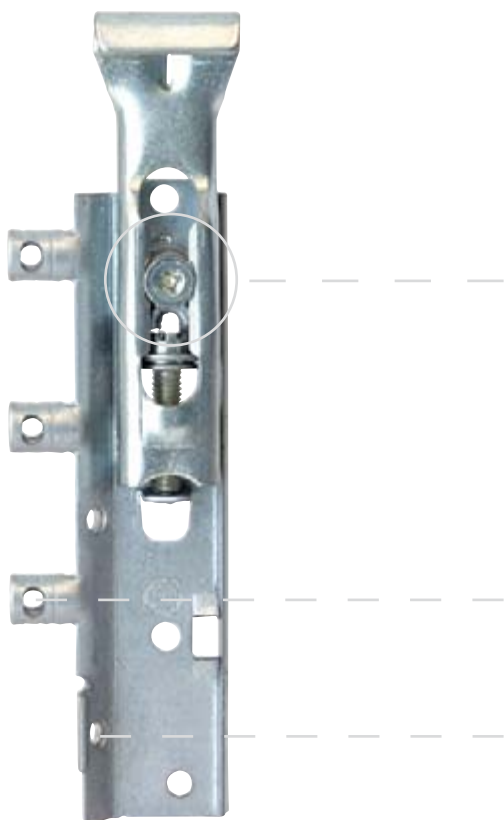
Depth adjustment.
Up to 25mm both at the front and back, in this case, without any need to drill the back of the furniture.



Height adjustment.
Up to 18mm with a Phillips® No.2, Ø6 screwdriver or a Pozidriv® No.2, Ø6. Both adjustments through the same 18mm diameter hole.



■ TRASER-6: Knock-in fitting



Maximum problem-free adjustment and precision.

Why not respect the beauty of your furniture to the maximum? That's what we do. We have reduced the number of holes to be drilled in your cabinet backs like no-one else. A small Ø18mm hole provides access to all adjustments. But we give you even more. If you don't want to drill your cabinet back, you can still fully adjust your hanger. We are unique in this as well. Our adjustment screws never penetrate the back of the furniture.

Maximum safety.

In addition to appearance, we also want you to know how safe our system is. We have worked to achieve a nominal load capacity of 65 kgs per hanger. Months of effort and imagination and hundreds of tests have enabled us to certify compliance with the DIN 68840 standard certified by LGA (equivalent to 260Kg. of final load per set), cabinet height 700mm. depth 350mm. Please check for smaller sizes. The dowels have an additional feature. They have fixing holes for additional screwing. They only need to be used when applying extremely high loads.

Maximum simplicity.

Fixing is done on the side of the cabinet. You just have to screw one 3.5 x 20 screw into the fixing hole.

TRASER-6 Cabinet hanger, Knock-in fitting.

Left	624.000.031	100
Right	624.100.035	

The maximum load per hanger is 65 kgs. According to din 68840 (equivalent to 260Kg. of a final load per set), cabinet height 700mm. depth 350mm.

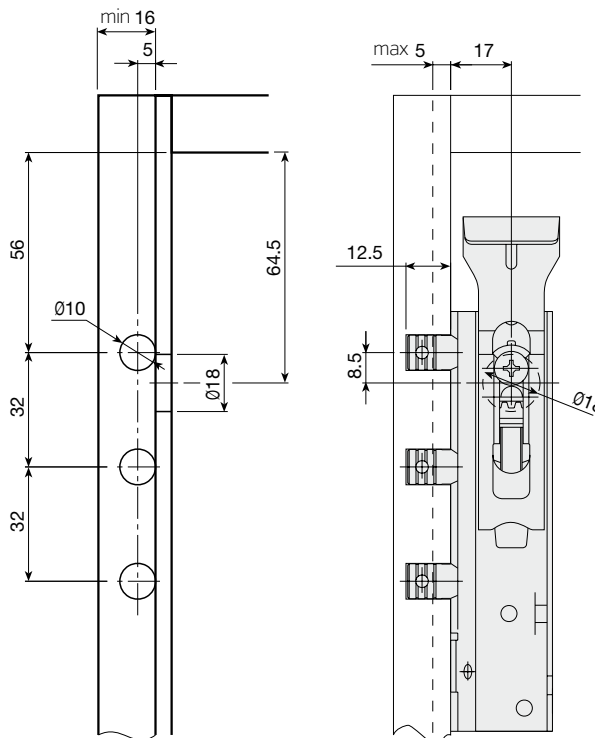
NOTE: for smaller modules please consult us.



Depth adjustment.
Up to 25mm both at the front and back, in this case, without any need to drill the back of the furniture.



Height adjustment.
Up to 18mm with a Phillips® No.2, Ø6 screwdriver or a Pozidriv® No.2, Ø6. Both adjustments through the same 18mm diameter hole.



■ TRASER-6: Screw fitting



For those who prefer the traditional fixing system, we present the screw fitting system. The hanger can be fitted on both sides, left or right.

Maximum problem-free adjustment and precision.

Why not respect the beauty of your furniture to the maximum? That's what we do. We have reduced the number of holes to be drilled in your cabinet backs like no-one else. A small Ø18mm hole provides access to all adjustments. But we give you even more. If you don't want to drill your cabinet back, you can still fully adjust your hanger. We are unique in this as well. Our adjustment screws never penetrate the back of the furniture.

Maximum safety.

In addition to appearance, we also want you to know how safe our system is. We have worked to achieve a nominal load capacity of 65 kgs. per hanger. Months of effort and imagination and hundreds of tests have enabled us to certify compliance with the DIN 68840 standard certified by LGA (equivalent to 260Kg. of final load per set), cabinet height 700mm. depth 350mm. Please check for smaller sizes.

Maximum simplicity.

Fixing is done on the side of the cabinet. You just have to screw three 3.5 x 20 screw into the fixing hole.

TRASER-6 Cabinet hanger, Screw fitting.

624.400.033	100	

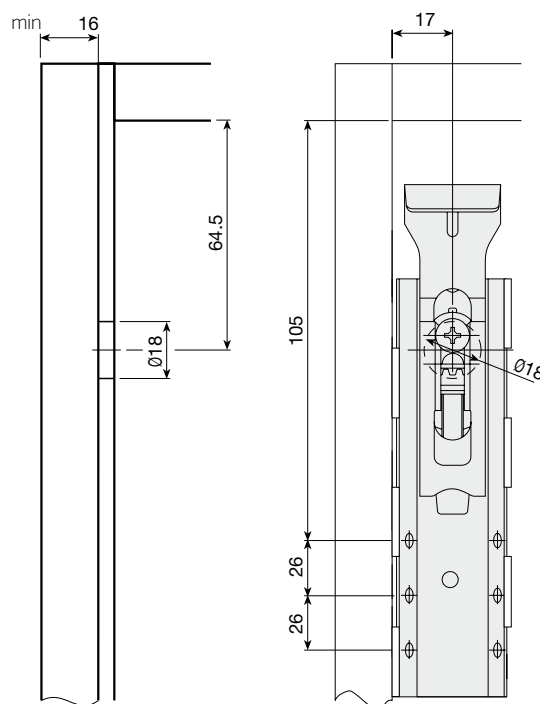
The maximum load per hanger is 65 kgs. According to din 68840 (equivalent to 260Kg. of a final load per set), cabinet height 700mm. depth 350mm.

NOTE: for smaller modules please consult us.

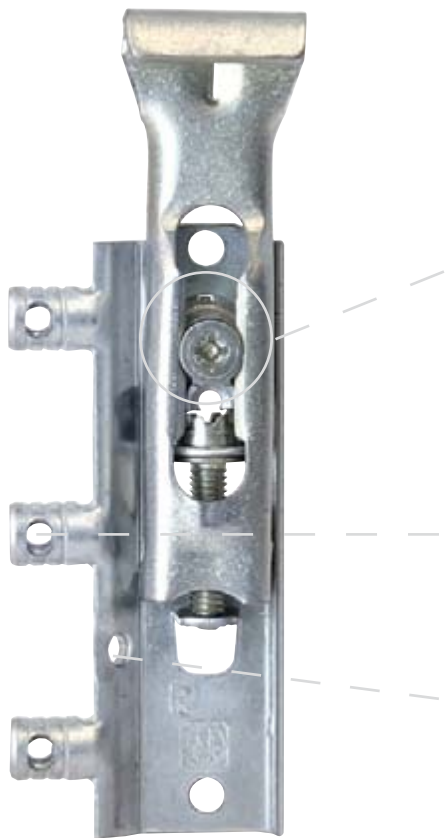


Depth adjustment.
Up to 25mm both at the front and back, in this case, without any need to drill the back of the furniture.

Height adjustment.
Up to 18mm with a Phillips® No.2, Ø6 screwdriver or a Pozidriv® No.2, Ø6. Both adjustments through the same 18mm diameter hole.



■ TRASER-6: Short knock-in fitting



Maximum problem-free adjustment and precision.

Why not respect the beauty of your furniture to the maximum? That's what we do. We have reduced the number of holes to be drilled in your cabinet backs like no-one else. A small Ø18mm hole provides access to all adjustments. But we give you even more. If you don't want to drill your cabinet back, you can still fully adjust your hanger. We are unique in this as well. Our adjustment screws never penetrate the back of the furniture.


Maximum safety.

In addition to appearance, we also want you to know how safe our system is. We have worked to achieve a nominal load capacity of 65 kgs. per hanger. Months of effort and imagination and hundreds of tests have enabled us to certify compliance with the DIN 68840 standard certified by LGA (equivalent to 260Kg. of final load per set), cabinet height 700mm. depth 350mm. Please check for smaller sizes. The dowels have an additional feature. They have fixing holes for additional screwing. They only need to be used when applying extremely high loads.

Maximum simplicity.

Fixing is done on the side of the cabinet. You just have to screw one 3.5 x 20 screw into the fixing hole.

TRASER-6 Cabinet hanger, Knock-in fitting.

	Left	Right	
Zinc-plated	624.500.030	624.600.034	100

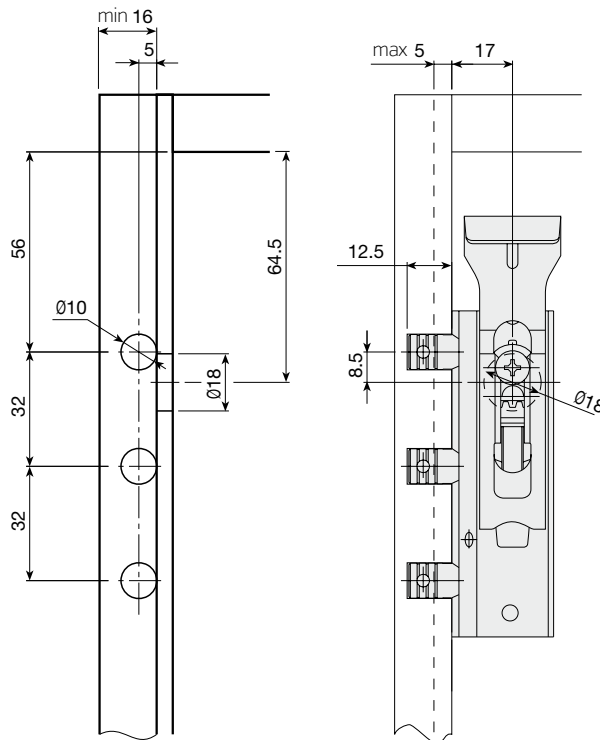
The maximum load per hanger is 65 kgs. According to din 68840 (equivalent to 260Kg. of a final load per set), cabinet height 700mm. depth 350mm. NOTE: for smaller modules please consult us.



Depth adjustment.
Up to 25mm both at the front and back, in this case, without any need to drill the back of the furniture.




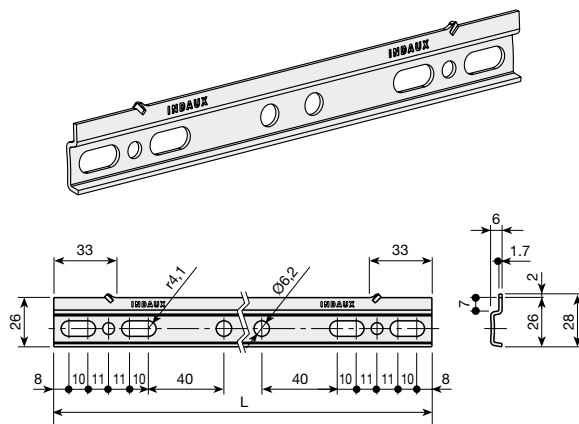
Height adjustment.
Up to 18mm with a Phillips® No.2, Ø6 screwdriver or a Pozidriv® No.2, Ø6. Both adjustments through the same 18mm diameter hole.



■ TRASER-6: Accessories

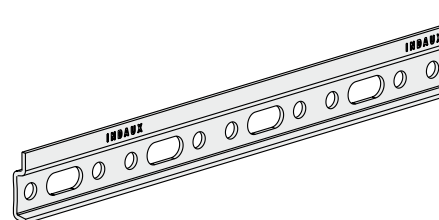
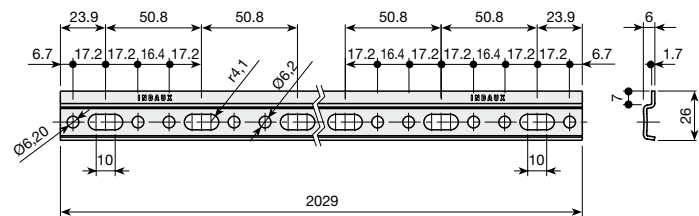
Double wall mounting plate.

Length (mm.)	L	Zinc-plated	
200	158	619.015.036	150
250	208	619.020.032	150
300	258	619.025.035	150
350	308	619.030.031	100
400	358	619.035.034	100
450	408	619.040.030	100
500	458	619.045.033	40
550	508	619.050.036	40
600	558	619.055.032	40
650	608	619.060.035	40
700	658	619.065.031	40
750	708	619.070.034	40
800	758	619.075.030	25
900	858	619.085.036	25
1000	958	619.095.035	25
1200	1158	619.115.033	25
1350	1308	619.130.035	25



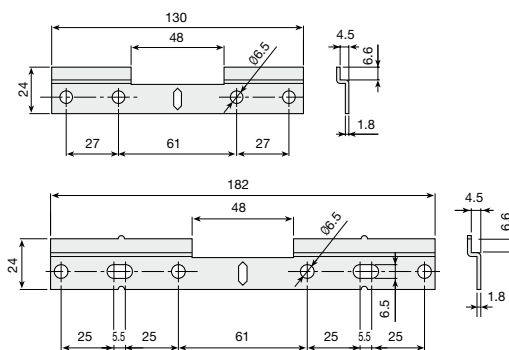
Double wall mounting plate.

Length (mm.)	Zinc-plated	
2029	619.200.035	15




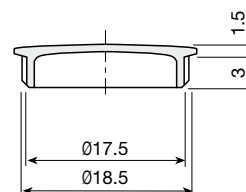
Double wall mounting plate.

Length (mm.)	Zinc-plated	
130	621.900.031	200
182	621.901.033	200




Ø18mm. cover.

Color	Ral	Zinc-plated	
White	Ral 9001	961.618.000	1.000
Nickel		961.618.066	1.000



Bag of accessories.

length of wall mounting plate (mm.)	Zinc-plated	
130	630.800.100	200
182	630.801.102	200

Each bag contains 1 wall mounting plate, 4 plastic Ø8X40 plugs and 4 Ø4.5X35 screws.

