

# DELTA

## Multi-purpose fitting

Pivot arms and fittings for lift-up doors.







DELTA multi-purpose fitting for lift-up, drop-down hinged doors and lids. It holds the door open and, depending on its adjustment, brakes the door as it drops or holds it in intermediate positions. The fitting itself may be fitted on the right or on the left. The unusual design gives the element stylish lines, reduced size, and makes it extremely hard-wearing.



# DELTA

## Multi-purpose fitting

Pivot arms and fittings for lift-up doors.

|          |  |   |                   |
|----------|--|---|-------------------|
| <b>1</b> | <b>MULTI-PURPOSE FITTING DELTA</b> ..... |  | <i>pp.</i><br>151 |
|          | ■ Configuration of fitting .....         |   | 152               |
|          | ■ Assembly .....                         |   | 153               |
|          | ■ Technical data .....                   |   | 155               |

**1 MULTI-PURPOSE FITTING DELTA**

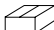
Fitting for hinged doors and lids.

|                     |             |     |   |
|---------------------|-------------|-----|---|
|                     |             |     |  |
| Nickel plated zamak | 810.000.063 | 100 |   |


Bracket for fixing to the side panel.

|                   |       |             |   |
|-------------------|-------|-------------|---|
| Drilling distance |       |             |  |
| Hinged doors      | Lids  |             |   |
| 28mm.             | 50mm. | 810.328.061 | 200   |

Bracket for fixing to the side panel.

|                   |       |             |   |
|-------------------|-------|-------------|---|
| Drilling distance |       |             |  |
| Hinged doors      | Lids  |             |   |
| 37mm.             | 59mm. | 810.237.062 | 200   |

Bracket for fixing to the door.

|                 |             |     |   |
|-----------------|-------------|-----|---|
| Type of door    |             |     |  |
| Timber          | 810.400.065 |     |   |
| Aluminium frame | 810.500.062 | 200 |   |

Bag of fittings.

|   |             |
|---|-------------|
| 1 fitting +1 bracket for side +1 bracket for door | 810.100.060 |
|---|-------------|

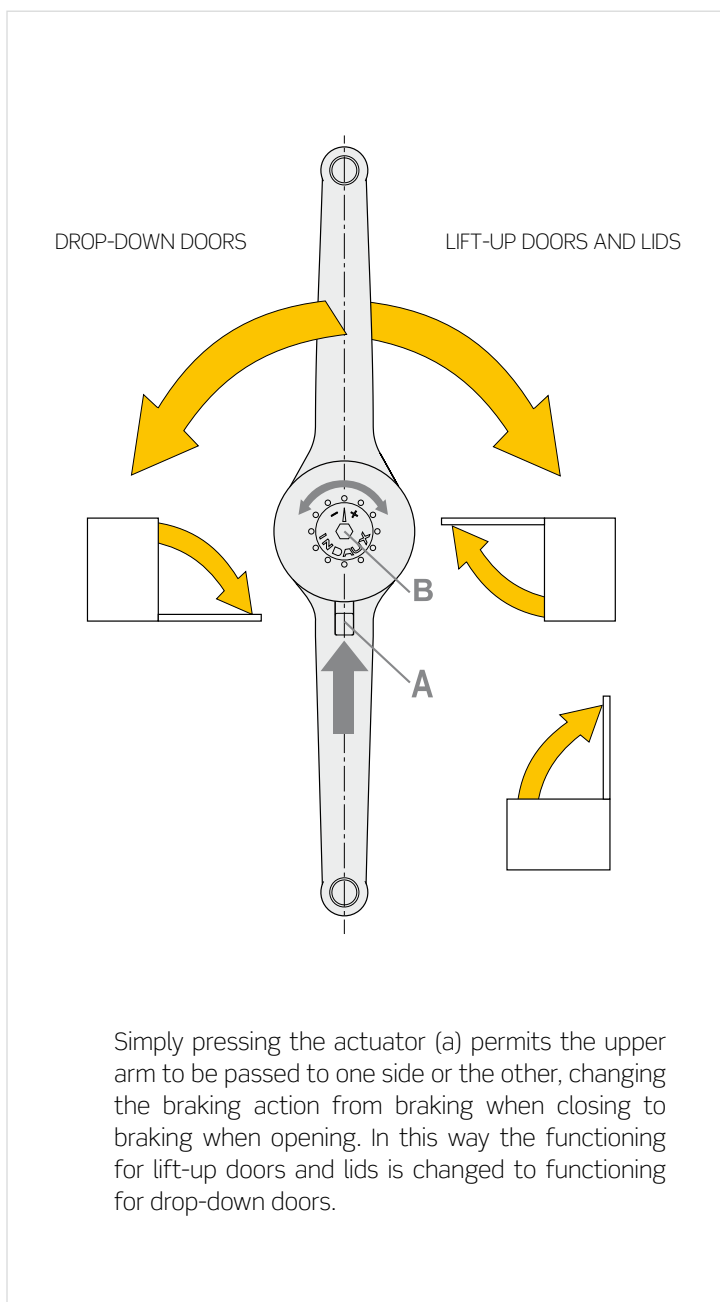
Supplied in boxes of 50 bags each containing one fitting for hinged doors and lids, one bracket for fixing to the side panel 37 mm from the edge and one bracket for timber doors.



It is also adaptable to glass doors with aluminium frames.

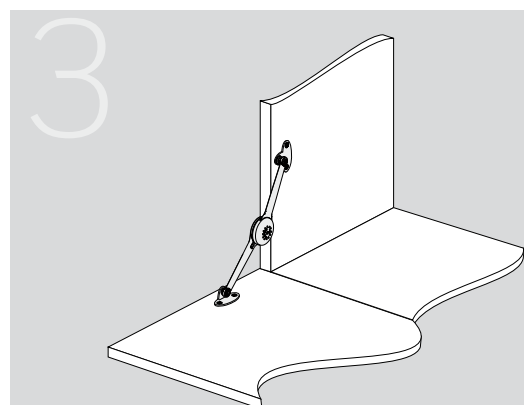
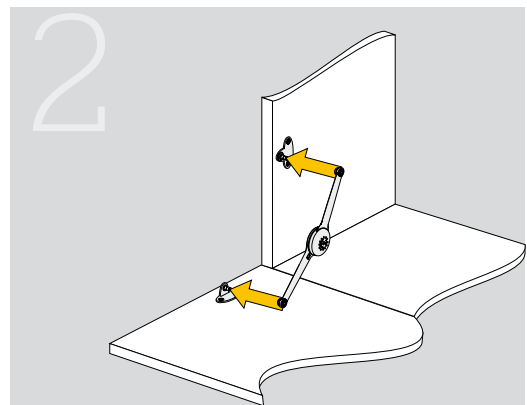
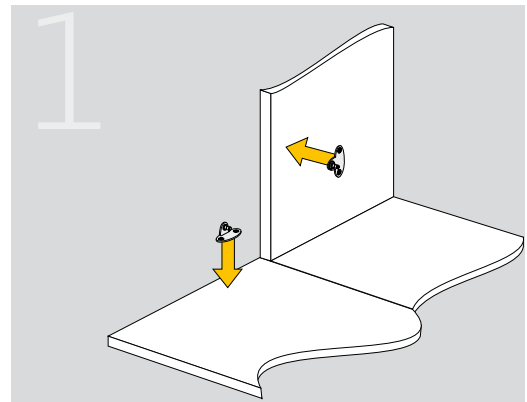
■ Configuration of fitting

Depending on the force adjustment, a variety of positions can be achieved with the 4 mm allen screw (b), from simply braking the door when dropping to the intermediate positioning of the door.

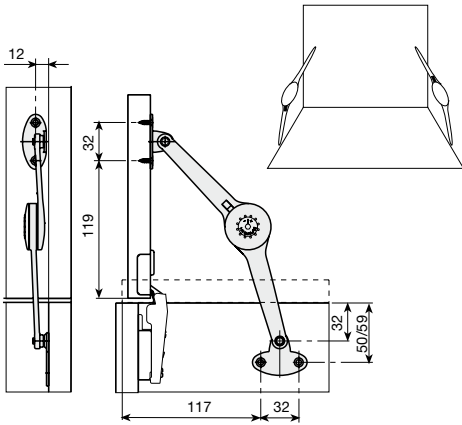


■ Assembly

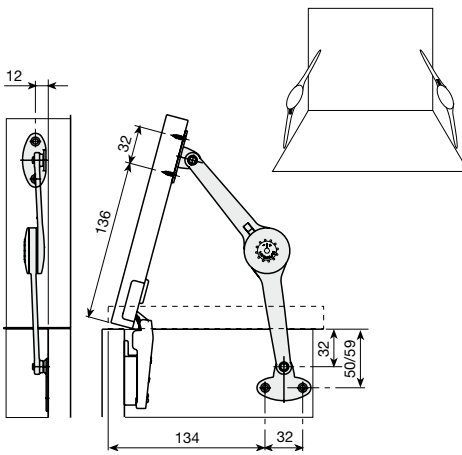
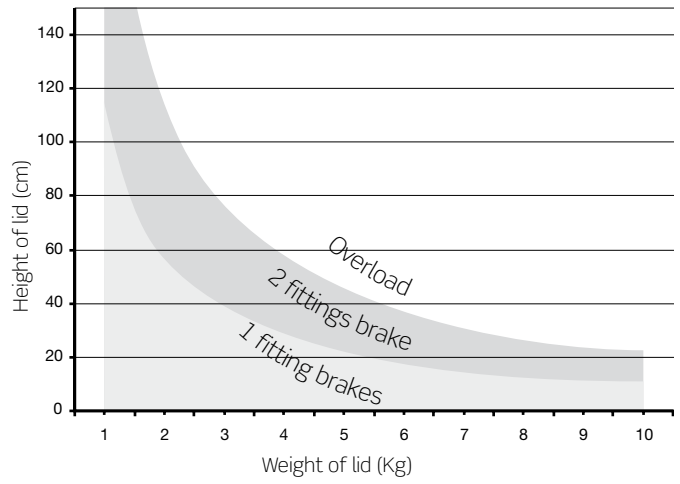
The fitting is very easy to assemble. When the brackets have been screwed in place independently, the fitting can be fitted into them manually, and it can therefore be supplied separately.



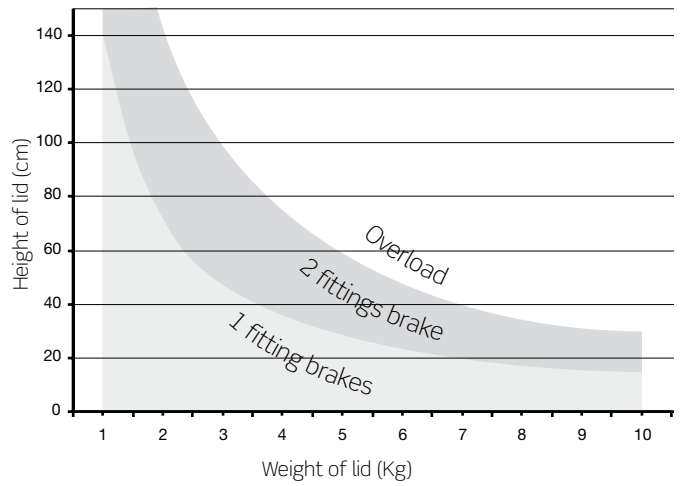
■ Technical data



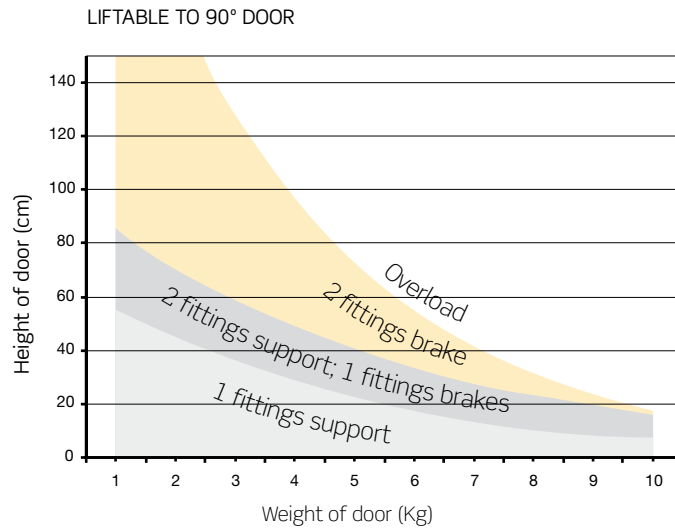
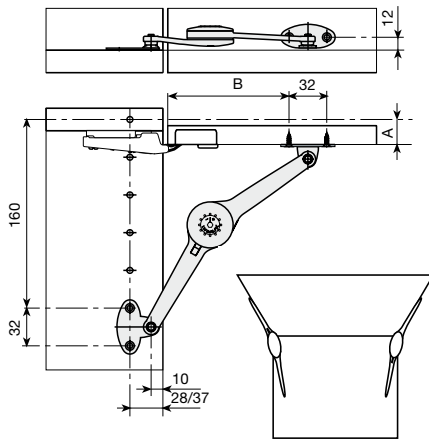
LIFTABLE TO 90° LID



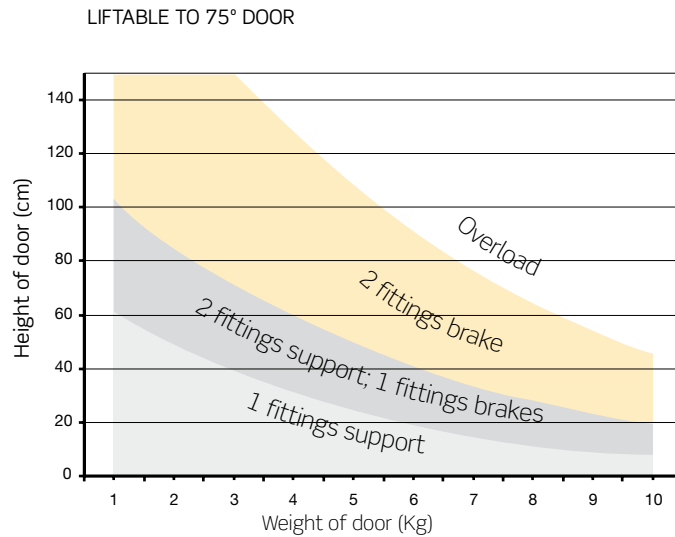
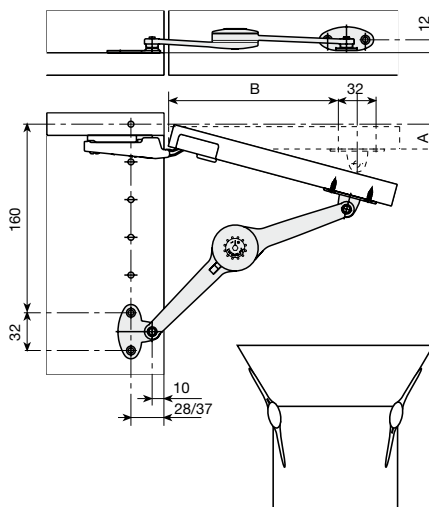
LIFTABLE TO 75° LID



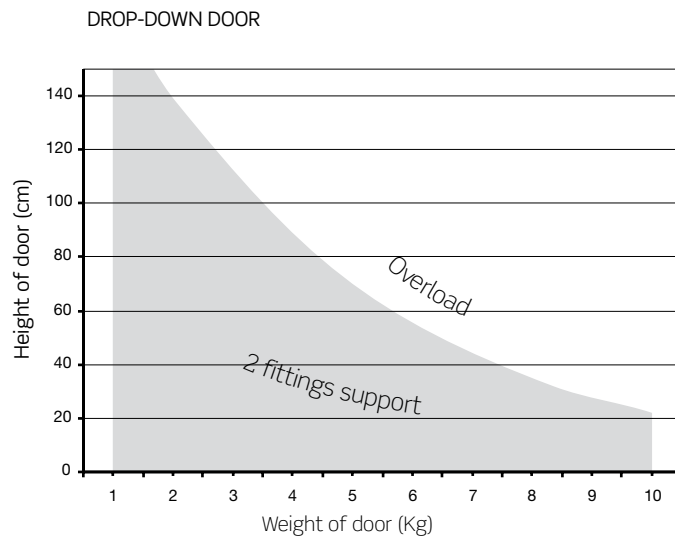
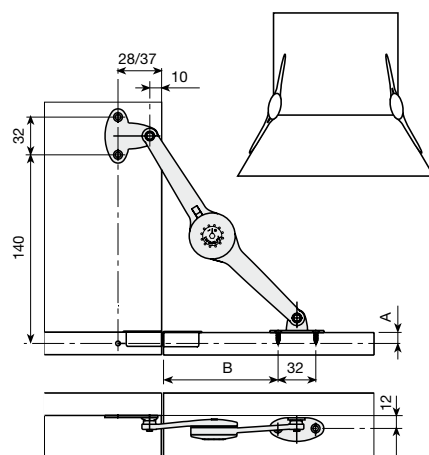




| A  | B   |
|----|-----|
| 8  | 90  |
| 9  | 91  |
| 10 | 92  |
| 11 | 93  |
| 12 | 95  |
| 13 | 96  |
| 14 | 97  |
| 15 | 98  |
| 16 | 99  |
| 17 | 100 |
| 18 | 101 |
| 19 | 102 |
| 20 | 103 |
| 21 | 103 |
| 22 | 104 |
| 23 | 105 |
| 24 | 105 |
| 25 | 106 |



| A  | B   |
|----|-----|
| 8  | 132 |
| 9  | 133 |
| 10 | 134 |
| 11 | 135 |
| 12 | 137 |
| 13 | 138 |
| 14 | 139 |
| 15 | 140 |
| 16 | 141 |
| 17 | 142 |
| 18 | 143 |
| 19 | 143 |
| 20 | 144 |
| 21 | 144 |
| 22 | 145 |
| 23 | 146 |
| 24 | 146 |
| 25 | 147 |



| A  | B   |
|----|-----|
| 8  | 98  |
| 9  | 99  |
| 10 | 100 |
| 11 | 101 |
| 12 | 103 |
| 13 | 104 |
| 14 | 105 |
| 15 | 106 |
| 16 | 107 |
| 17 | 108 |
| 18 | 109 |
| 19 | 110 |
| 20 | 111 |
| 21 | 111 |
| 22 | 112 |
| 23 | 113 |
| 24 | 113 |
| 25 | 114 |

